

# Programmes After Market Services NHP-2 Series Transceivers

## 7. Service Tools



## Contents

	Page No
Docking Station (JBV-1) and Docking Station Adapter (MJF-1) .....	5
Product Code .....	5
View of Docking Station .....	6
View of Docking Station Adapter .....	6
Galvanic Contact (GAC-2) .....	7
Product Code .....	7
View of Galvanic Contact .....	7
Shield Enclosure (JXS-1) .....	8
Product Code .....	8
View of JXS-1 (including transceiver and JBV-1) .....	8
Flash Adapter (FLA-14) .....	9
Product Code .....	9
View of Flash Adapter .....	9
Soldering Jig (MJS-26) .....	10
Product Code .....	10
View of Soldering Jig .....	10
Flash Prommer (FPS-8) .....	11
Product Code .....	11
View of Flash Prommer .....	11
Audio Cable (ADS-6) .....	12
Product Code .....	12
View of Audio Cable .....	12
Audio box (JBA-8) .....	13
Product Code .....	13
View of Audio Box .....	13
Mbus/Fbus Cable (XCS-4) .....	14
Product Code .....	14
View of Mbus/Fbus Cable .....	14
DC Cable (SCB-3) .....	15
Product Code .....	15
View of DC Cable .....	15
Power Cable (PCS-1) .....	16
Product Code .....	16
View of Power Cable .....	16
RF Cable (XRF-1) .....	17
Product Code .....	17
View of RF Cable .....	17
SW Security Device (PKD-1) .....	18
Product Code .....	18
View of SW Security Device .....	18
Module Jig (MJS-17) .....	19
Product Code .....	19
View of Module Jig .....	19
POS Flash (FLS-4S) .....	20
Product Code .....	20
View of POS Flash Adapter .....	20
MBUS Cable (DAU-9P) .....	21

---

Product Code .....	21
View of MBUS Cable DAU-9P .....	21
MBUS Cable (DAU-9S) .....	22
Product Code .....	22
View of MBUS Cable DAU-9S .....	22
Printer Cable (AXP-8) .....	23
Product Code .....	23
View of Printer Cable.....	23
Flashing and Testing Setups .....	24
POS Flash Setup 1 .....	24
Flashing, testing, and tuning with covers on (Setups 2a, 2b, 2c, 2d) .....	25
Service Setup 2a .....	26
Service Setup 2b .....	27
Service Setup 2c .....	28
Service Setup 2d .....	29

## Docking Station (JBV-1) and Docking Station Adapter (MJF-1)

The Docking Station and the Docking Station Adapter are needed for Mbus, Fbus, RF, and audio connections.

This setup allows connection between flash prommers. When the audio box is connected, it has to be connected to the phone's audio connector. The Docking Station can be powered by FPS-8 or external power supply.

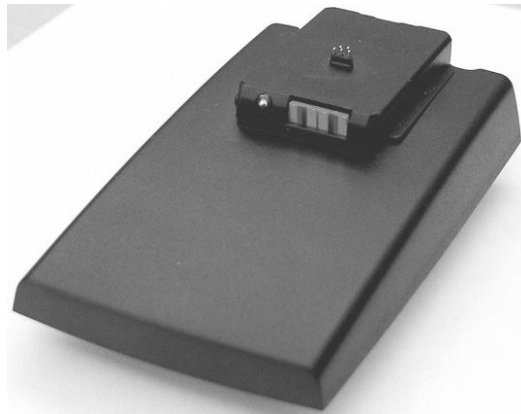
### Product Code

Docking Station JBV-1	0770298
Docking Station Adapter MJF-1	0770354

**View of Docking Station**



**View of Docking Station Adapter**



## Galvanic Contact (GAC-2)

Galvanic Contact GAC-2 adapter provides an RF galvanic connection to RF test and measuring equipment.

### Product Code

Galvanic Contact GAC-2

0770379

### View of Galvanic Contact



## Shield Enclosure (JXS-1)

The Shield Enclosure (JXS-1) attenuates external interference at least 80 dB over the frequency bands on which our phones operate. JXS-1 was designed to be used with the JBV-1 universal test base. JXS-1 receives the phone adapters, and galvanic and antenna couplers similar to the method employed by the JBV-1. This shield enclosure is for use with DCT-4 products using the JBV-1 Universal test adapter

### Product Code

JXS-1 Shield Enclosure

0770348

### View of JXS-1 (including transceiver and JBV-1)





## Flash Adapter (FLA-14)

Flash Adapter allows continuous maximum power supply for the phone from an external power supply (ACP-8). The flash adapter allows Mbus/Fbus connections. The flash adapter is protected against over-voltage, over-current, and cross-connection. The flash adapter provides a regulated voltage to the phone.

*Note: The flash adapter is designed for flashing only.*

### Product Code

Flash Adapter FLA-14

0770293

### View of Flash Adapter



## Soldering Jig (MJS-26)

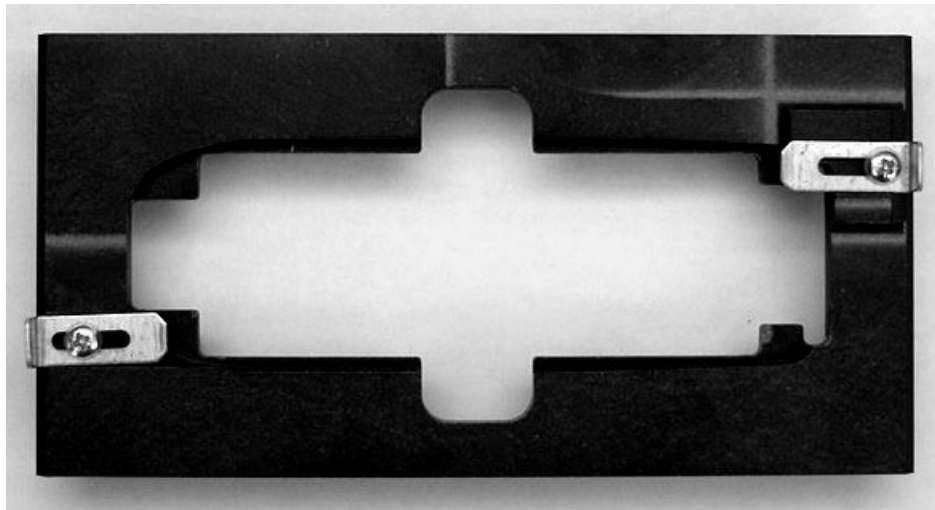
The Soldering Jig is designed to hold PWB during repair and troubleshooting.

### Product Code

Soldering Jig MJS-26

0770352

### View of Soldering Jig



## Flash Prommer (FPS-8)

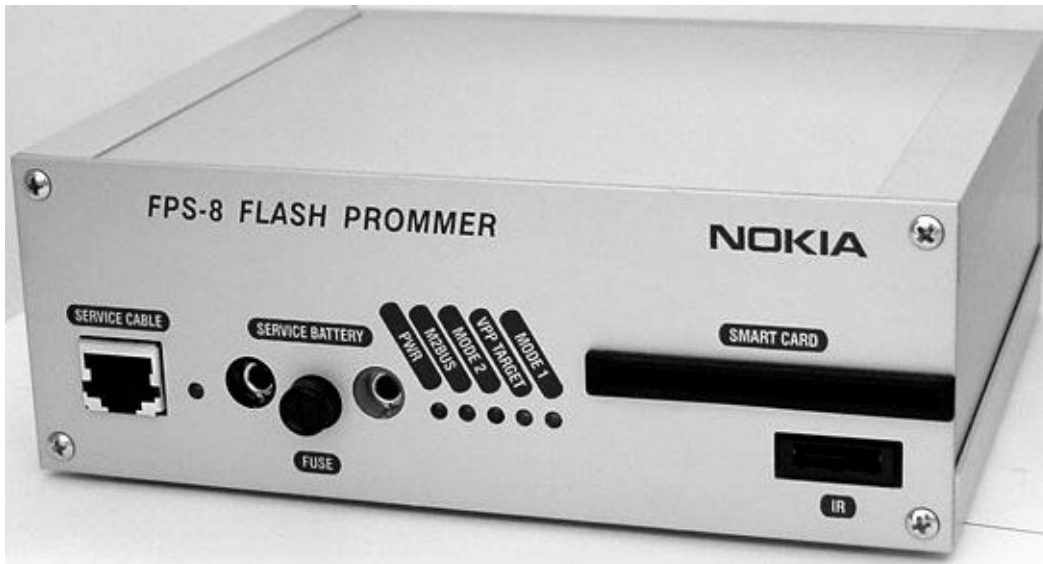
The Flash Prommer FPS-8 is used for heavy flash.

### Product Code

Flash Prommer FPS-8

0080321

### View of Flash Prommer



## Audio Cable (ADS-6)

The Audio Cable connects to the Audio Box JBA-8.

### Product Code

Audio Cable ADS-6

0730241

### View of Audio Cable



## Audio box (JBA-8)

The JBA-8 is required for audio testing.

### Product Code

Audio Box JBA-8

0770320

### View of Audio Box



## Mbus/Fbus Cable (XCS-4)

The XCS-4 Service Cable is a modular cable for flashing DCT4 products.

### Product Code

Mbus/Fbus Cable XCS-4

0730178

### View of Mbus/Fbus Cable



## DC Cable (SCB-3)

The DC Cable SCB-3 is used to connect the docking station to the charger connection (Vin) of the phone to conduct the charger calibration service procedure.

### Product Code

DC Cable SCB-3

0730114

### View of DC Cable



## Power Cable (PCS-1)

The Power Cable PCS-1 is used to connect the service tools (JBV-1, MJS-17) to an external power supply.

### Product Code

Power Cable PCS-1

0730012

### View of Power Cable





## RF Cable (XRF-1)

RF Cable XRF-1 is used to connect the service tools to RF measuring equipment.

### Product Code

RF Cable XRF-1

0730085

### View of RF Cable



## SW Security Device (PKD-1)

SW security device PKD-1 is hardware device that, when connected to the parallel (LPT) port of the PC, enables the use of the service software. Without the dongle present, it is not possible to use the service software. Printers or other peripheral devices can be connected to the PC through the dongle, if needed.

*Caution: Make sure that you have switched off the PC and the printer before making connections!*

*Caution: Do not connect the PKD-1 to the serial port. You may damage your PKD-1!*

### Product Code

SW Security Device PKD-1

0750018

### View of SW Security Device



## Module Jig (MJS-17)

This jig allows phone PWB level service and troubleshooting.

### Product Code

Module Jig MJS-17

0770353

### View of Module Jig



## POS Flash (FLS-4S)

The Point of Sale (POS) flash is a low-cost software upgrade tool. This requires the XCS-1 cable and ACP-8U for operation.

### Product Code

POS Flash Adapter FLS-4S      0080543

### View of POS Flash Adapter



## MBUS Cable (DAU-9P)

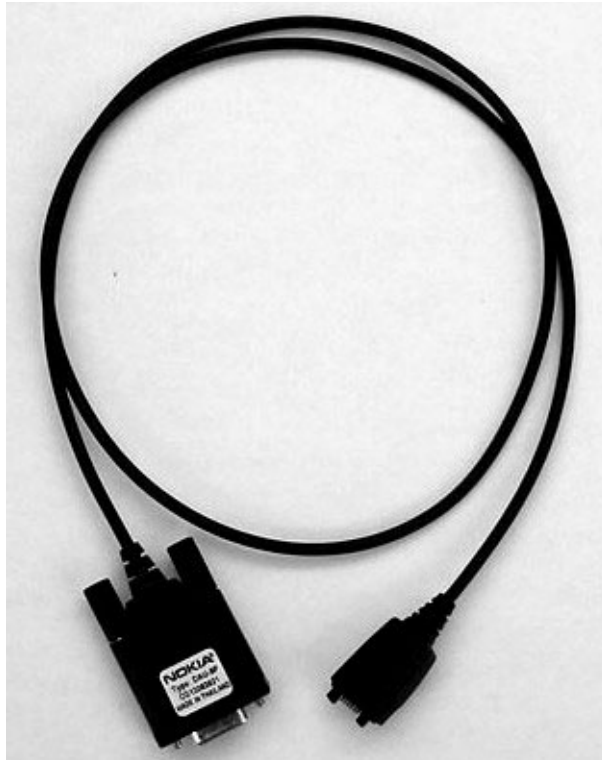
The MBUS cable DAU-9P provides a connection from the serial port of the computer to the system connector of the phone.

### Product Code

MBUS Cable DAU-9P

0272034

### View of MBUS Cable DAU-9P



## MBUS Cable (DAU-9S)

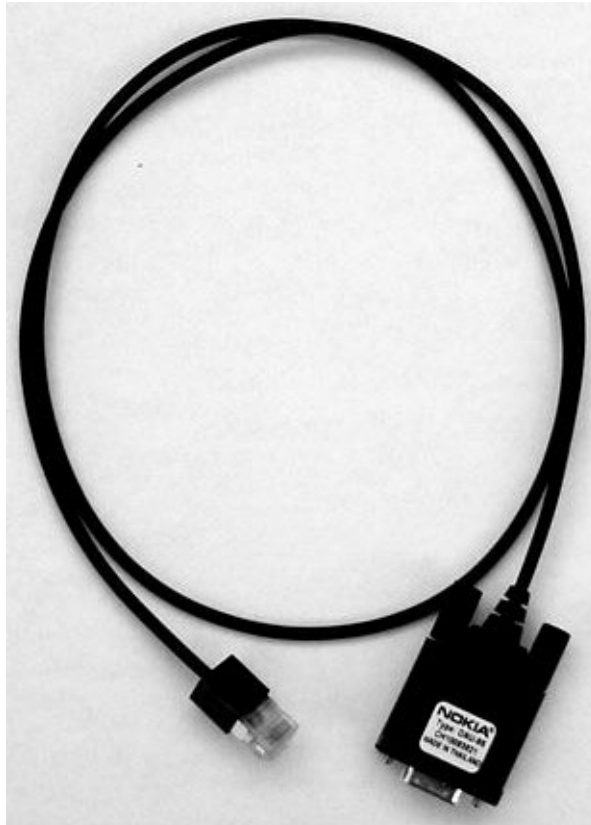
The MBUS Cable DAU-9S has a modular connector and is used with the service Audio Box JBA-8.

### Product Code

MBUS Cable DAU-9S

0730108

### View of MBUS Cable DAU-9S



## Printer Cable (AXP-8)

The Parallel Printer Cable connects the parallel connector of the PC and the parallel input of the FPS-8 or FPS-8C.

### Product Code

Printer Cable AXP-8

073F000

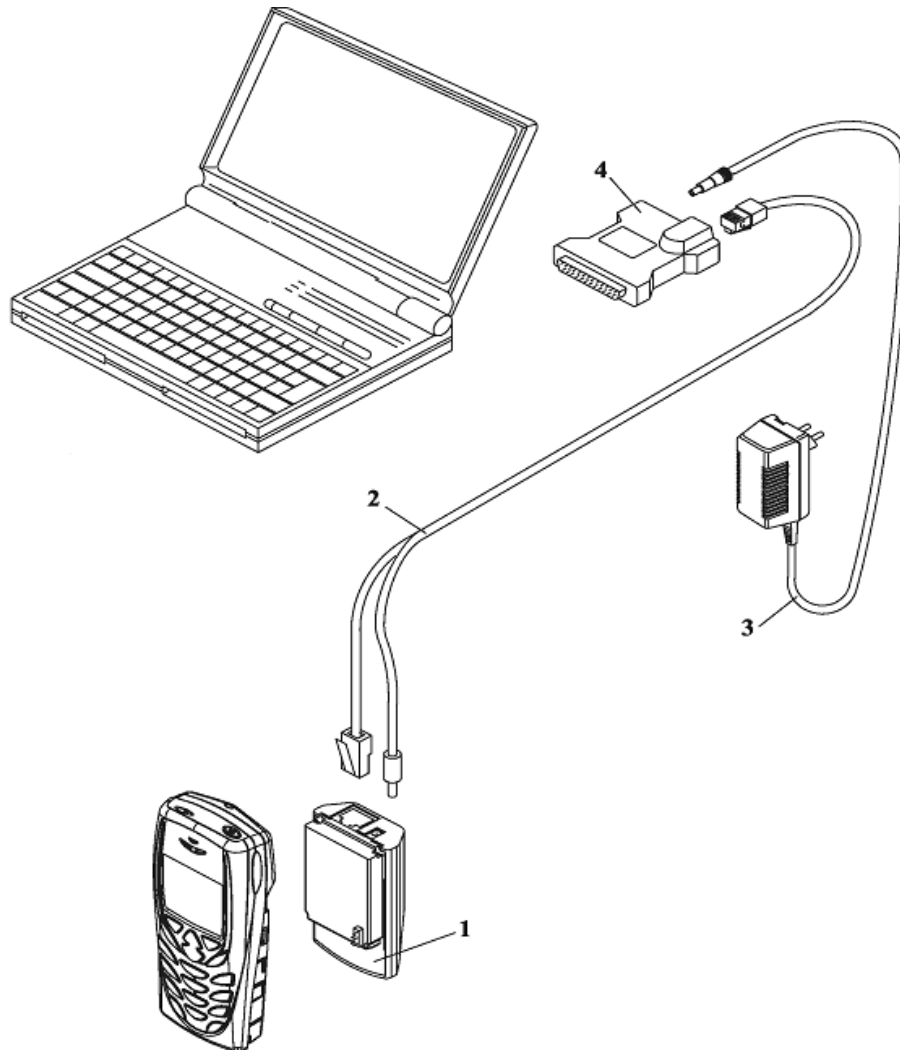
### View of Printer Cable



## Flashing and Testing Setups

### POS Flash Setup 1

Figure 1: View of POS flash



Item	Name	Type	Code
1	POS Flash loading adapter	FLA-14	0770293
2	Service cable	XCS-1	0730218
3	AC charger	ACP-8F	0680032
4	POS flash dongle	FLS-4S	0080543
	Software		

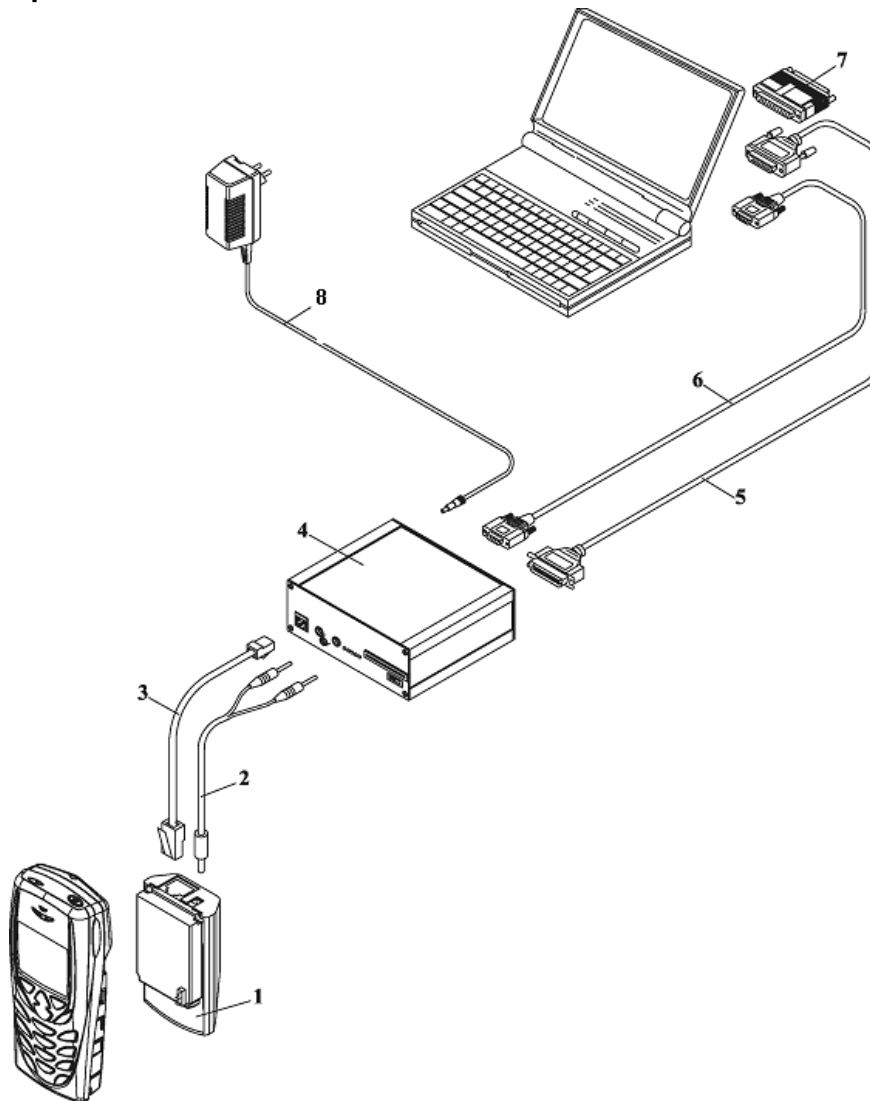


**Flashing, testing, and tuning with covers on (Setups 2a, 2b, 2c, 2d)**

Tightened performance specifications require more precise equipment and methods for testing and alignment. Manual tuning can't provide accurate results for NHP-2 products, which means that this task has to be automated.

These setups are intended to be used with either Phoenix or Darium SW. With the Phoenix SW, it is possible to do manual testing and automated tuning. With Darium, it is possible to do automated testing and tuning.

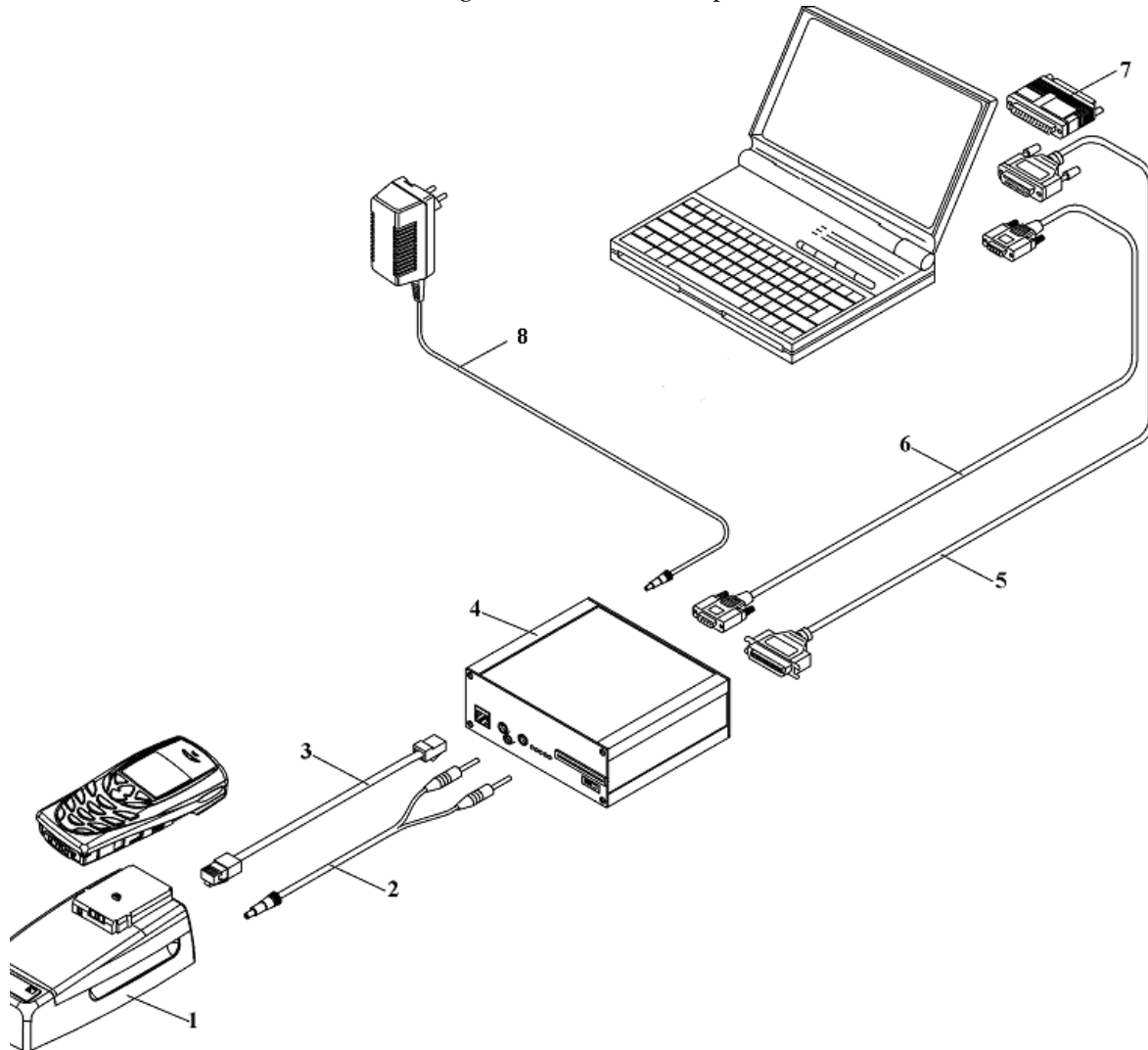
### Service Setup 2a



Item	Name	Type	Code
1	POS flash loading adapter	FLA-14	0770293
2	Power cable (included in FLA-14 sales pack)	FLC-2	0730185
3	Modular cable	XCS-4	0730178
4	Flash prommer box	FPS-8	0080321
5	Printer cable (included in FPS-8 sales pack)		0730029
6	D9-D9 cable (included in FPS-8 sales pack)		0730090
7	Software protection key	PKD-1	0750018
8	AC charger	ACP-8F	0680032

**Service Setup 2b**

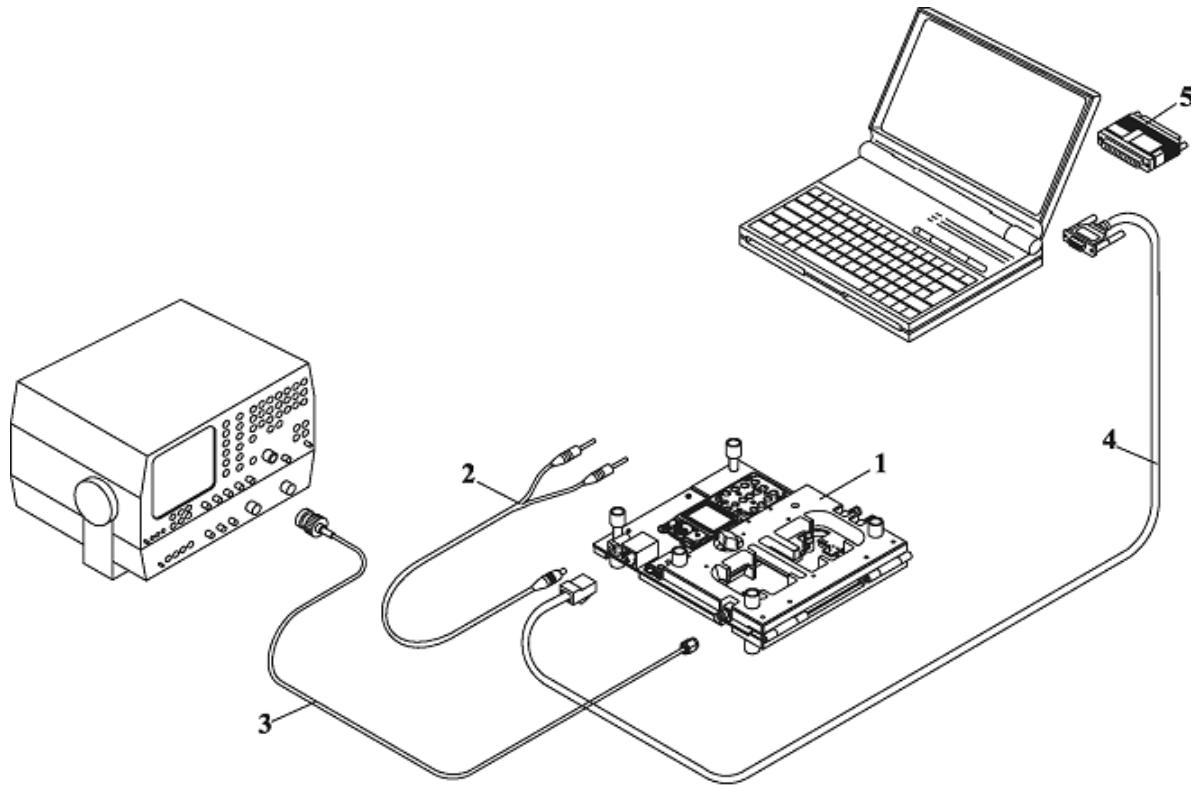
Figure 2: Service tool setup 2b



Item	Name	Type	Code
1	Docking station Docking station adapter	JBV-1 MJF-1	0770298 0770354
2	DC power cable	PCS-1	0730012
3	Modular cable	XCS-4	0730178
4	Flash prommer box	FPS-8	0080321
5	Printer cable (included in FPS-8 sales pack)		0730029
6	D9-D9 cable (included in FPS-8 sales pack)		0730090
7	Software protection key	PKD-1	0750018
8	AC charger	ACP-8F	0680032

### Service Setup 2c

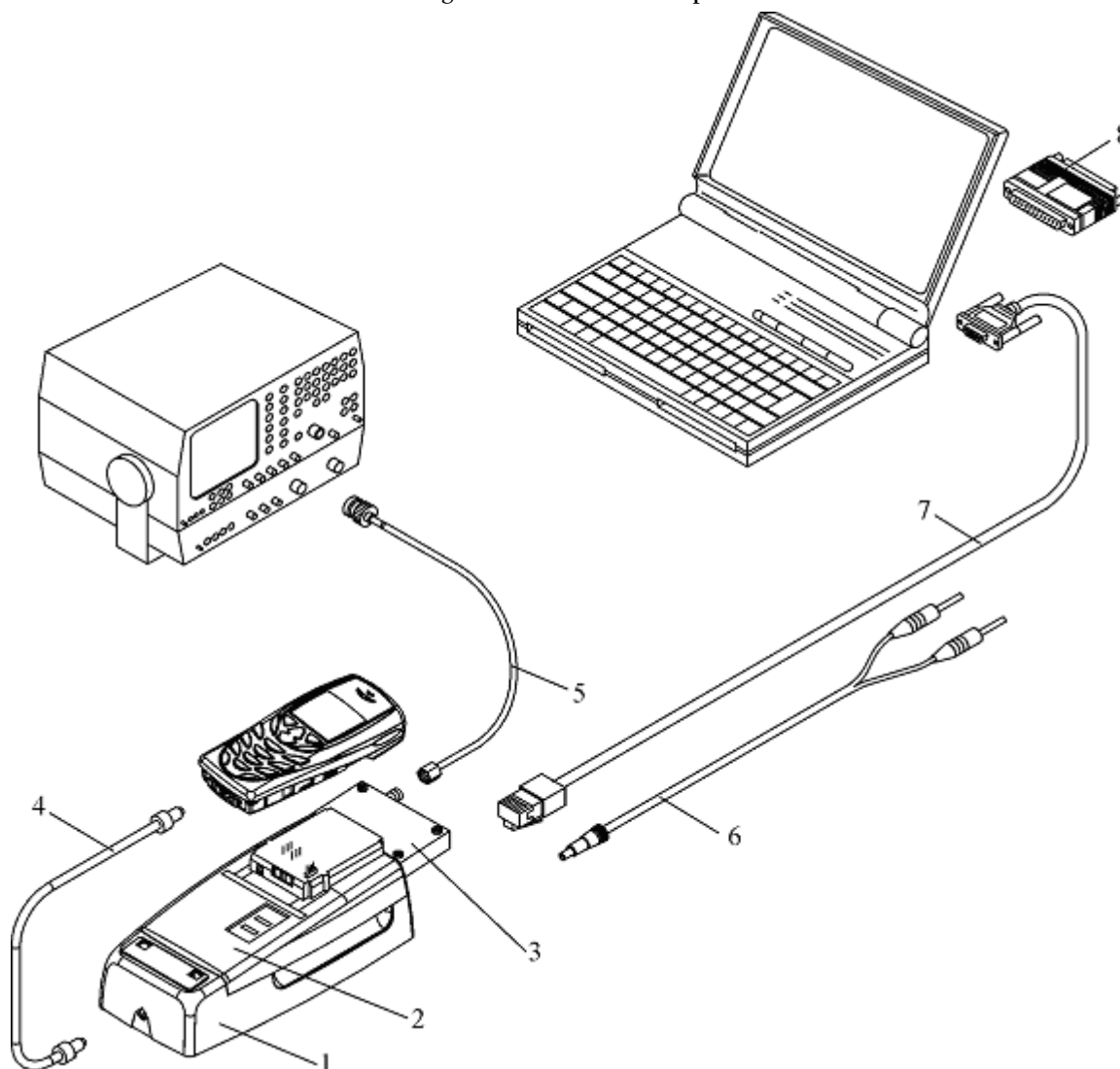
Figure 3: Service tool setup 2c



Item	Name	Type	Code
1	Module jig	MJS-17	0770353
2	DC power cable	PCS-1	0730012
3	RF antenna cable	XRF-1	0730085
4	Service MBUS cable	DAU-9S	0730108
5	Software protection key	PKD-1	0750018

**Service Setup 2d**

Figure 4: Service tool setup 2d



Item	Name	Type	Code
1	Docking station	JBV-1	0770298
2	Docking station adapter	MJF-1	0770293
3	Coupler	GAC-2	0770379
4	DC-DC cable	SCB-3	0730114
5	RF antenna cable	XRF-1	0730085
6	DC power cable	PCS-1	0730012
7	Service MBUS cable	DAU-9S	0730108
8	Software protection key	PKD-1	0750018

